

The Tiffany T80 Series

Full-Height Turnstile • Interior & Exterior Application

T80-S • T80-T

The Tiffany T80-S (single, shown at right) and the T80-T (tandem) are high security, tamper-resistant, full-height turnstiles. Both variations are manufactured with 6061/T6 anodized aluminum ovaline arms and feature Sabic IP Lexan® polycarbonate yoke assemblies for an open appearance. The T80 series is driven by our reliable 6500 Series Control Head to accommodate your security requirements.



T80 Series (Single or Tandem)

The T80S (single, shown above) and T80T (tandem) are full security, tamper-resistant, full-height turnstiles. Both are equipped with Ovaline arms measuring 1/2" x 2" x 24".

T80-S (Single)

Exterior Height: 91"
Interior Height: 84"
Width: 66-1/8"
Pedestrian Clearance: 30"

T80-T (Tandem)

Exterior Height: 91"
Interior Height: 84"
Width: 96.125"
Pedestrian Clearance: 30"



T80-MD

Also available with integrated metal detection portal.

We're the #1 Choice of Top Architects, Security Pros and Engineers

For two decades, www.TURNSTILES.us has been the globally trusted name in pedestrian control equipment. Made in Ohio and shipped worldwide, we are the first choice of leading architects, facility managers, security consultants and engineers. Whether your project requires high security full-height turnstiles, waist-high units, or matching ADA accessible gates, www.TURNSTILES.us is the secure choice. And, we're experienced in access control systems, from card readers to biometric scanning, to give you the power to control access.



The Tiffany T80 Series

Full-Height Turnstile • Interior & Exterior Application

T80-S • T80-T

Applications:

The Tiffany T80 is a three-vane turnstile with a weather resistant finish and is ideal for interior or exterior placement – wherever style and durability are needed. It is crafted from 6061 and 6063 aluminum extrusions and features transparent Lexan® polycarbonate yoke assemblies.

Product Specifications:

Dimensions:

T80-S (Single)

Exterior Height: 91"
 Interior Height: 84"
 Width: 66.125"
 Pedestrian Clearance: 30"

T80-T (Tandem)

Exterior Height: 91"
 Interior Height: 84"
 Width: 96.125"
 Pedestrian Clearance: 30"

Finish:

Standard anodized finish choices are clear and bronze. Other colors available upon request.

Construction:

Materials:

Various 6061 and 6063 extruded aluminum
 Scratch resistant 3/16" MR10 Lexan® polycarbonate

Assembly:

- Major components pre-assembled with concealed rods and spring pins

Installation Hardware:

- Barrier and yokes secured with 3/4" rod epoxied into concrete
- Rotor pivots on sealed load runner bearing, secured with high strength plastic coupling anchored into concrete

Operation:

6500 Series Control Head, featuring:

- Auto-indexing (self-centering) with adjustable hydraulic shock suppression
- Hardened tool steel locking bars, cam and roller assemblies
- Permanently lubricated bearings
- Your choice of manual or electronic control on both directions
- Nearly universal integration to any number of access control systems
- Your choice on each electronic direction of locking or unlocking on power failure

Options:

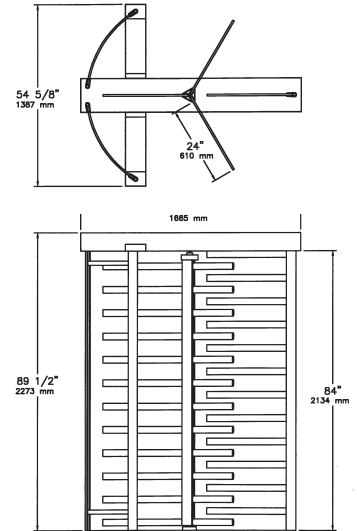
- Card reader mounting plates
- Daylight visible indicator lights
- Bidirectional key overrides
- 8 digit key resettable LCD counter with seven year lithium battery
- Metal detection portal
- Cold weather package (insulated mainframe and thermostat-controlled heater)
- Additional options available upon request

Electrical Specifications:

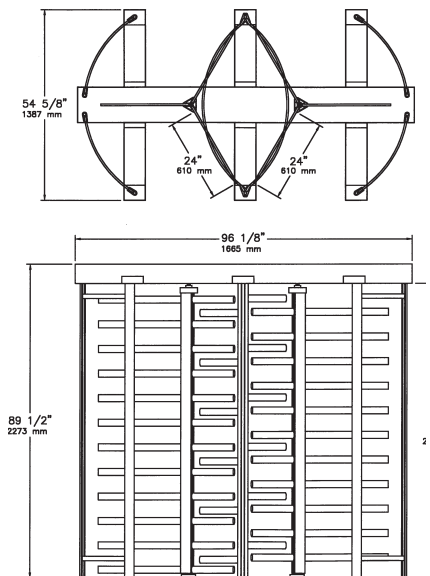
Input Voltage: 100-240 VAC
 Input Current: 1.3 - .55 A
 Frequency: 50/60 Hz
 Storage Temperature: -4 to 158 °F
 Operating Temperature: 32 to 122 °F
 Operating Voltage: 24VDC
 Operating Current: 1.2 A (typical)

Warranty:

Units are warranted against defects in materials and workmanship for a period of one year from date of delivery. See warranty information for specific details.



T80S



T80T

Dimensions are approximate.



The 6500 series control head is certified to conform to UL Standard 325 & UL Subject 2593



Controlled Access, Inc. is a registered ISO 9001:2008 company