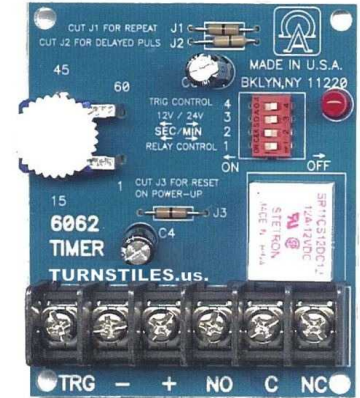


## 6062 Multi-Purpose Timer

### Description

TURNSTILES.us 6062 programmable timer is suitable for many functions that require a timed operation e.g. Access Control Applications, Siren/Bell Cut Off Module, Dialer Delay, Guard Tour Supervisory Timer, etc. Some optional functions include: One Shot, Delayed Release, Delayed Operate, Delayed Pulse, and Pulsar/Flasher.



6062

### Specifications

#### Input

Voltage 12VDC or 24VDC selectable.

#### Relay

Contact Rating 8A/120VAC or 28VDC contacts.

Selectable relay activation at the start or end of the timing cycle.

One (1) second momentary relay activation at the end of the timing cycle (eliminates the need to use two timers for this function).

#### Timer

Triggers via positive DC (+) voltage, dry contact closure or removal of contact closure.

Quick and extremely accurate time range adjustment from 1 second to 60 minutes.

Built-in reset feature cancels timing cycle.

Repeat (flasher/pulse) mode.

#### Indicators (LED)

Red Indicates relay is energized.

#### Physical and Environmental

##### Dimensions (L x W x H)

3" x 2.5" x 0.75" (76.2mm x 63.5mm x 19.05mm).

Product Weight 0.1 lbs. (0.05 kg).

Shipping Weight 0.15 lbs. (0.07 kg).

##### Temperature

Operating -20°C to 49°C (-4°F to 120°F).

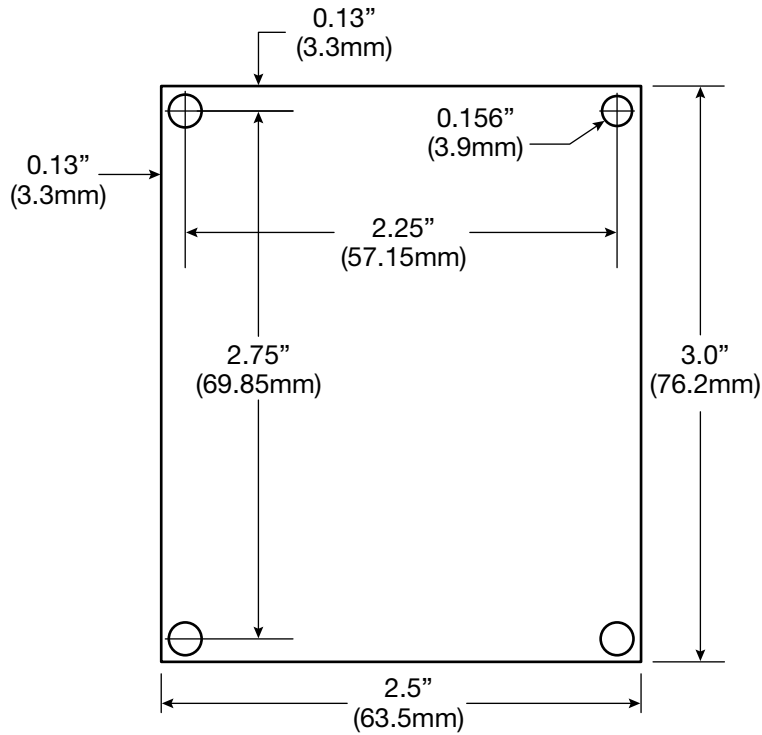
Storage -25°C to 70°C (-13°F to 158°F).

Relative Humidity 85% +/-5%.

## 6062 Multi-Purpose Timer

### Board Dimensions (L x W x H) and Drawing

3" x 2.5" x 0.75" (76.2mm x 63.5mm x 19.05mm)



### Overview:

Model 6062 programmable timer is suitable for many functions that require a timed operation e.g. Access Control Applications, Siren/Bell Cut Off Module, Dialer Delay, Guard Tour Supervisory Timer, etc. Some optional functions include: One Shot, Delayed Release, Delayed Operate, Delayed Pulse and Pulsar/Flasher. A new feature has been added which provides a momentary relay activation at the end of a desired timing cycle. This feature eliminates the need for having to use two (2) timers to achieve this function.

### Specifications:

- 12VDC or 24VDC operation is selectable.
- Quick and extremely accurate time range adjustment from 1 sec. to 60 min.
- LED indicates relay is energized.
- Form "C" relay contacts are 8 amp at 120VAC/28VDC.
- Current Draw: Stand-by 3mA, Relay Energized 40mA.
- Triggers via positive DC (+) voltage, dry contact closure, or removal of contact closure.
- Selectable relay activation at the start or end of the timing cycle.
- One (1) second momentary relay activation at the end of the timing cycle (eliminates the need to use two (2) timers for this function).
- Built-in reset feature which cancels timing cycle.
- Repeat (pulsar/flasher) mode.
- Snap Track compatible (order Altronix model #ST3)
- DIN Rail Mount version available (order Altronix model #DTMR1).
- Board dimensions: 3"L x 2.5"W x .75"H (approximate)

### Installation Instructions:

1. Mount 6062 in desired location/enclosure.
2. Set proper DC Input Voltage Dip Switch 3: 12VDC ON, 24VDC OFF.
3. Refer to **Dip Switch Selection** and **Jumper Selection Tables** for desired functions (e.g.: Timing, Trigger, Pulse)
4. Measure DC input voltage before powering device to ensure proper operation.
5. Refer to **Terminal Identification Table** and **Typical Applications fig. 1 thru fig. 8.** for desired wiring connections.  
**Note:** When triggering via a N.O. (normally open), momentary or maintained trigger, connect the dry contact trigger to Pos (+) and TRG terminals. When triggering via a N.C. (normally closed), momentary or maintained trigger, connect the trigger to Neg. (-) and TRG terminals and install a resistor [for 12VDC - 2K (2,000 ohm) or for 24VDC - 4.7K (4,700 ohm)] between the Pos (+) and TRG terminals (*Fig. 8*).
6. Enable the reset features:
  - Cut J3 when power is removed the timer will reset and not re-trigger when power is restored unless a new trigger is applied.**Note:** The closed trigger and delayed pulse options will not operate if the reset feature is desired.

### Dip Switch Selection Table:

Dip #	Off	On
1	Relay energizes at the start of timing cycle.*	Relay energizes at the end of timing cycle.*
2	1-60 Minutes timing range (trimpot adjustable).	1-60 Seconds timing range (trimpot adjustable).
3	24VDC operating voltage.	12VDC operating voltage.
4	Timing begins immediately upon trigger input.	Timing starts after removal of trigger input.

\* When relay energizes (LED is on) [N.O. & C] switch from open to close and [N.C. & C] switch from close to open.

### Jumper Selection Table:

Number	Function/Description
J1	Cutting J1 selects the pulser/flasher mode. Relay will flip ON and OFF continuously in equally set timed intervals when timer is powered up.
J2	Cutting J2 puts timer in delayed output mode. Relay will pulse for 1 second at the end of a preset timing cycle. *Dip Switch 1 must be ON for this function.
J3	6062 will go through an initial timing cycle when first powered up unless J3 is cut. If J3 is cut, timing can only be initiated via TRG terminal.

### Terminal Identification:

Terminal Legend	Function/Description
TRG	Applying a positive voltage will activate timing cycle. Trigger voltage range: 7-12VDC at 12 volt setting, 15-24VDC at 24 volt setting.
-, +	Connect 12 or 24VDC filtered and regulated voltage. Refer to <b>Dip Switch Selection Table</b> for voltage setting.
N.O., C, N.C.	Dry form "C" relay contacts are rated 8 amp at 120VAC/28VDC.

