

TURNSTILES.us.

SECURING THE U.S. and the GLOBE

TURNSTILE

GA2-STI

GA2-S



Smart and durable solutions

Packed in one product



TURNSTILES.us.
SECURING THE U.S. and the GLOBE

Configuration

Easier than ever.

GA2-STI, GA2-S

The device designed to assist pedestrian access control at guarded passage ways inside buildings and vehicles.

Examples of use:

- points of ticket control and access control for passenger traffic in busses, buildings,
- airports/seaports,
- passages for authorised personnel, directing passenger traffic,
- points of access control in secured buildings (e.g. state offices such as border crossing points, other services),
- points of ticket control and fees at museums, theatres, cinemas, exhibitions, fair areas, show facilities, paid toilets, points of ticket control at sports facilities, e.g. swimming pools, stadiums, other sports and show facilities,
- access and time attendance control points in working places, e.g. offices, dedicated areas in factories.





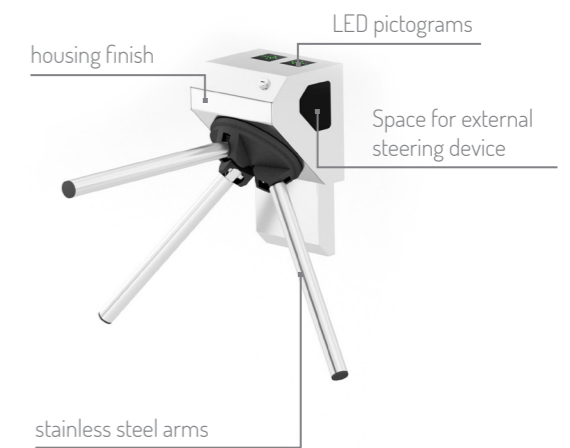
Save money and space in Your building

DESCRIPTION OF DEVICE

GA2-STI



GA2-S



TYPE OF FINISHING

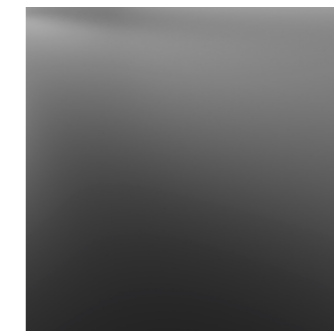
Finishing of housing and support stand



Stainless steel - INOX AISI 304



RAL 9006



RAL 9005



RAL 5010



RAL 6002



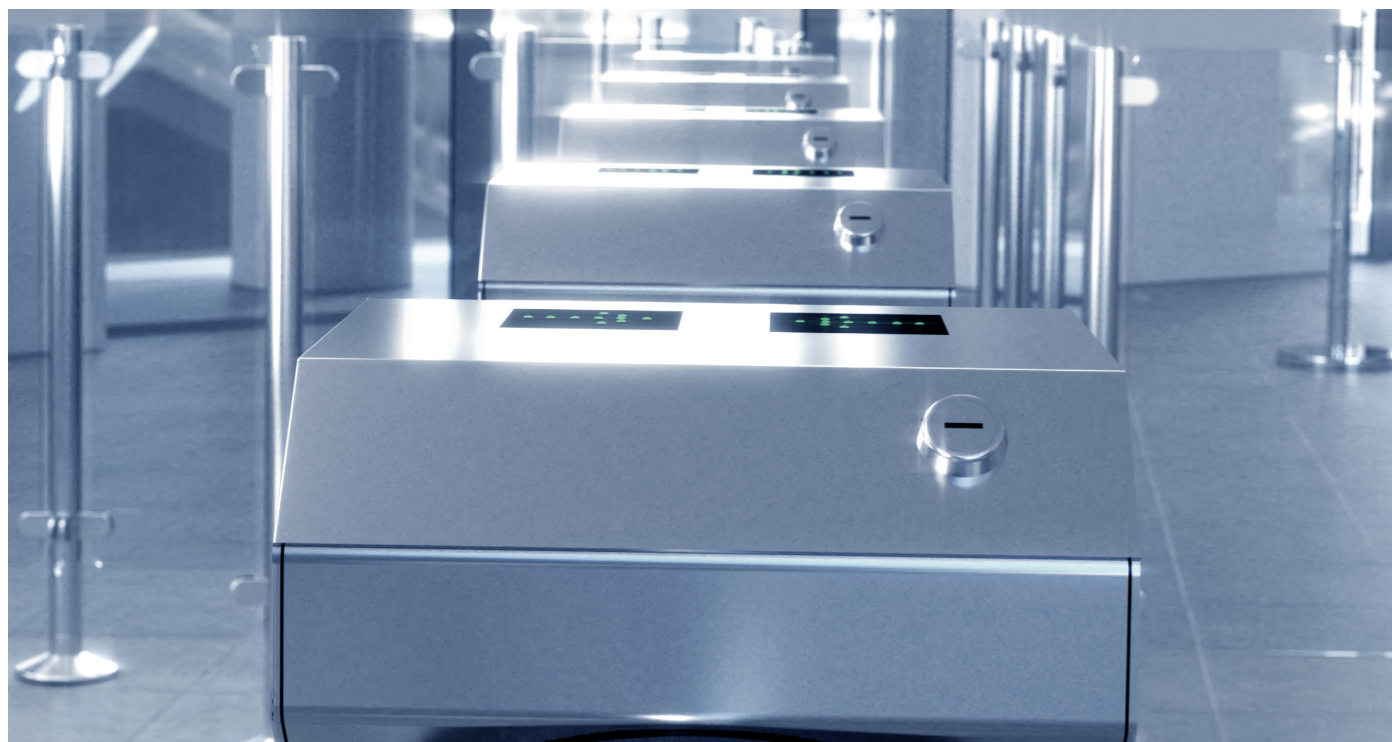
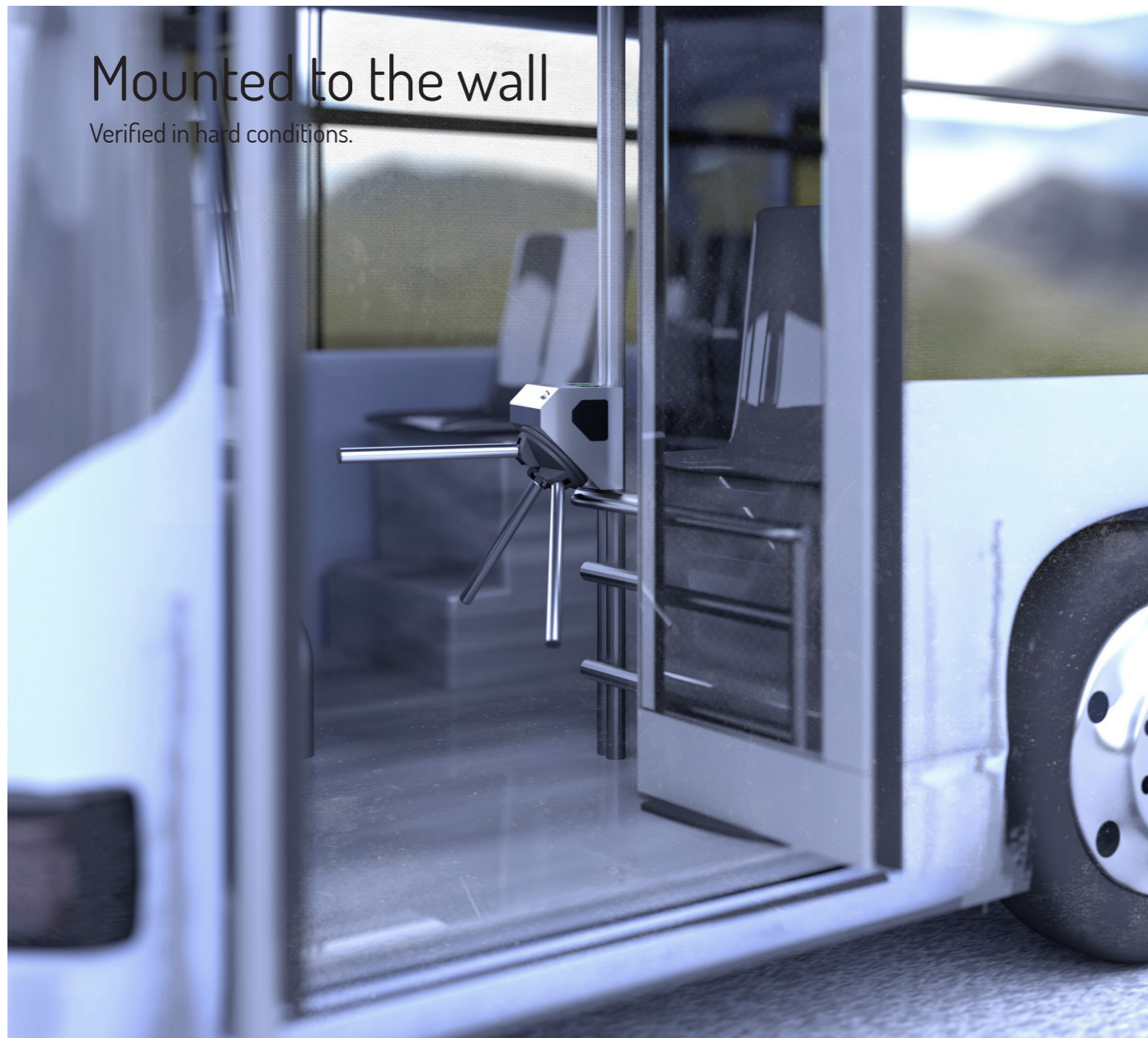
RAL 9003

Standard colour/standard finishing

Non-standard colour/non-standard finishing

Mounted to the wall

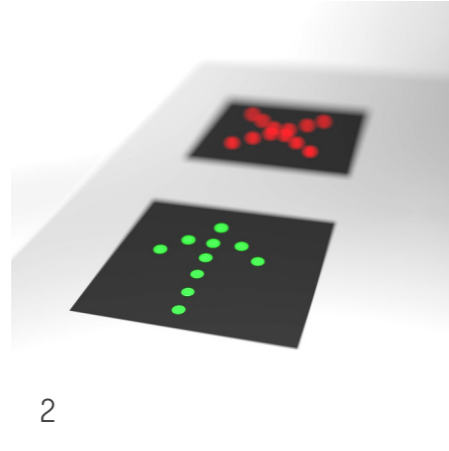
Verified in hard conditions.



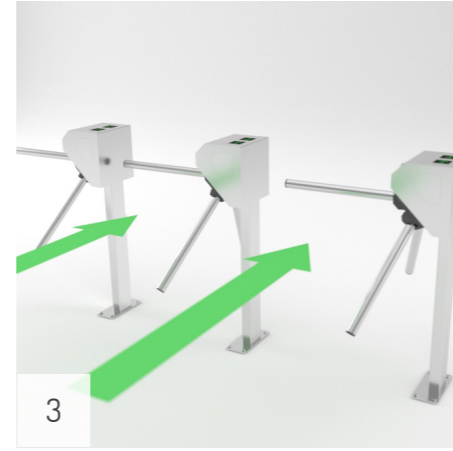
FUNCTIONS



1



2



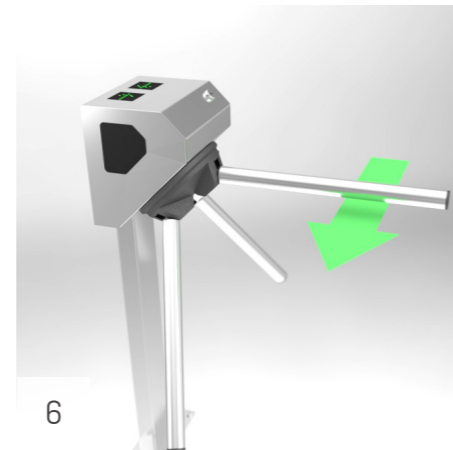
3



4



5



6

1. EASY SETTING

Configuration of operation modes and function is easy with the use of a control panel with a display and an encoder.

2. LED PICTOGRAMS

Visual signalling (diode pictograms) informs about traffic directions being turned on and turned off within the passage section. A red pictogram informs that the traffic direction is turned off/locked (the device disables a passage of a person); a green pictogram informs that the traffic direction is turned on.

3. WORK MODES

The device enables operation in different modes eg traffic control for both directions of motion or traffic control for any selected direction of movement.

4. PRECISE MEASUREMENT SYSTEM

The device is equipped with an electronic rotor position measurement system that allows the control system to control the work of the lock system.

5. ARM DROP FUNCTION (AN OPTION)

Automatic arm drop function (function in the model of the device with the arm drop module).

6. SUPPORTING ARMS ROTARY MOTION

The mechanism of the device is equipped with mechanical arm rotation aid which helps in easy and smooth passage of a person.

TECHNICAL PARAMETERS

MECHANISMS

Mechanisms are designed for continuous operation. Mechanisms allow 1200 cycles / hour.

MECHANISM [GA2]

Mechanism equipped with:

- mechanical arm support,
- blockade system for the arms,
- precise measurement system for arms position,
- automatic unlocking in case of electrical power failure.

DEFINITIONS OF DEVICES - WITHOUT DROP ARM FUNCTION

Model	Housing finishing
GA2 - STI	INOX/RAL ...
GA2 - S	INOX/RAL ...

DEFINITIONS OF DEVICES - WITH DROP ARM FUNCTION

Model	Housing finishing
GA2 - STI - DA	INOX/RAL ...
GA2 - S - DA	INOX/RAL ...

Samples:

- GA2 - STI - RAL5010 - a GA2-STI turnstile finished with steel color RAL5010.
- GA2 - S - DA - INOX - a GA2-S turnstile with arm drop function finished with steel in grade AISI 304.

ELECTRONIC SYSTEM

- Steering input (0V signal) for each traffic direction individually
- Feedback signal output (0V signal) informing about a passage of a person based on an authorising signal,
- A higher priority input for excluding the section from operation (e.g. from the building management system),
- The highest priority input for clearing/opening the passage section (e.g. from the firefighting system),
- Functions: remembering steering signals during the working cycle, sound signalling, diode signalling, automatic calibration

PARAMETERS

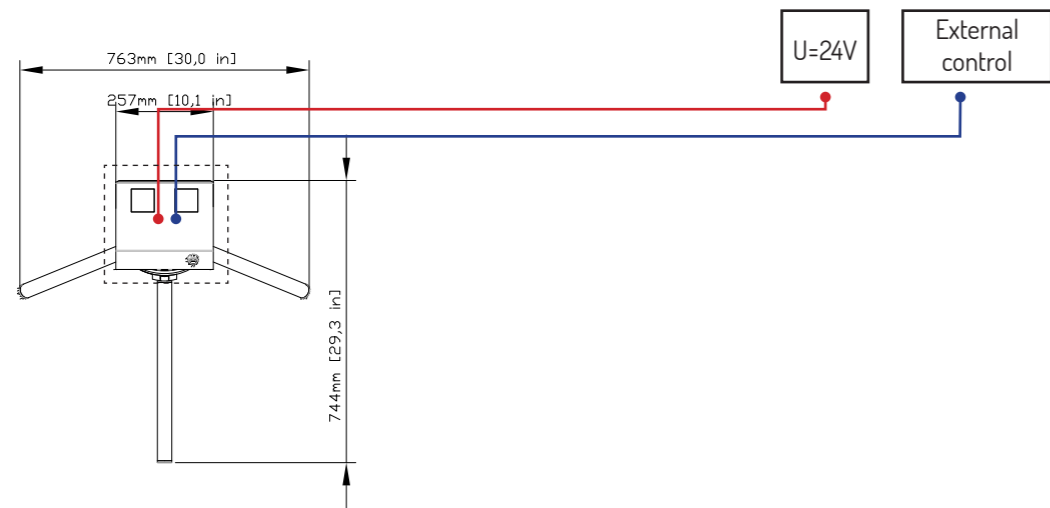
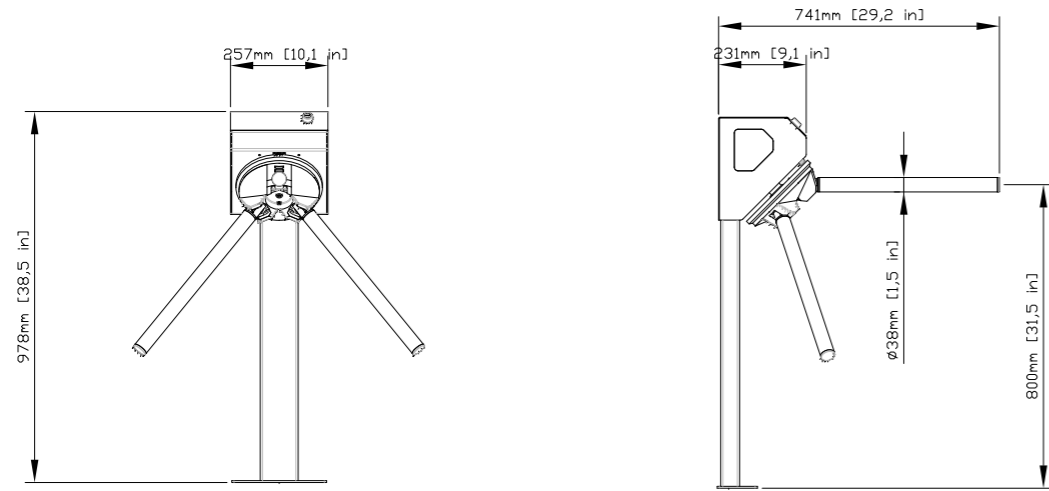
Power supply voltage:	~24 V AC
Maximum power consumption:	75 VA
Minimum power consumption:	2.2 A
Steering signal:	max 0.5 sec
Feedback signal:	0V
Operation temperature:	-20° to +50° C [-4° to 122°F]
Storage temperature:	-30° do +60° C [-22° to 140°F]
Maximum humidity:	10-80%
Operation environment:	inside buildings
IP protection rate:	IP 43
Net weight - MODEL „S“	-60kg [132 lb]
Net weight - MODEL „STI“	-60kg [132 lb]

OPTIONAL EQUIPMENT*

Name	Description
Power supply	Power supply 230/24V
Control panel	Control panel for manual traffic control

* Optional equipment is not included with the device.

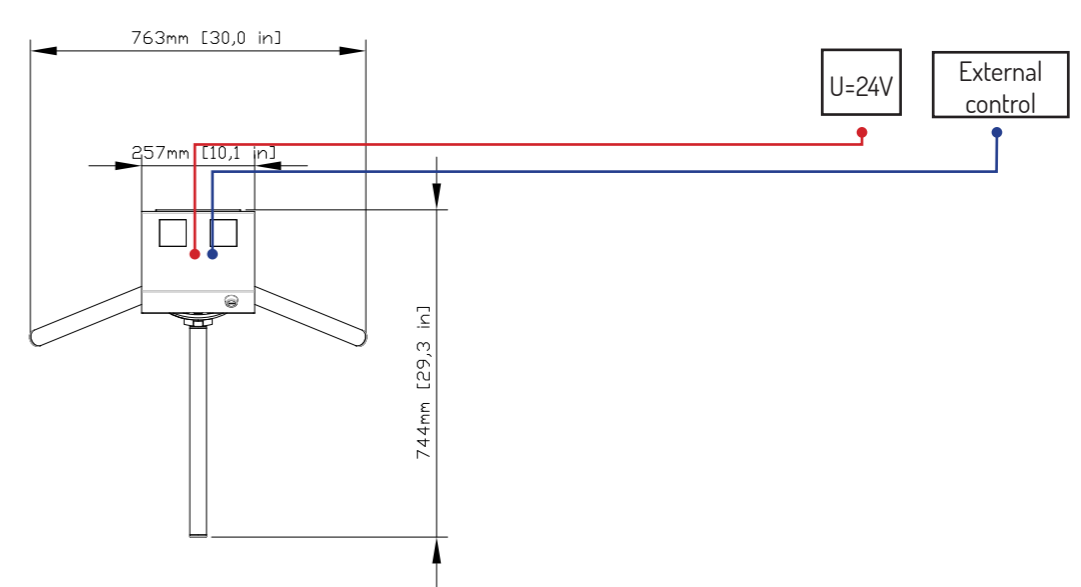
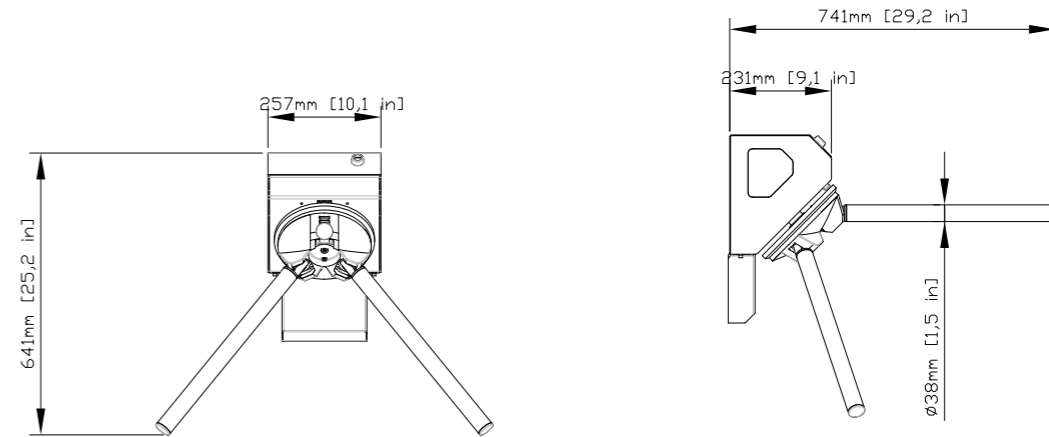
DIMENSIONS GA2-STI



KEY:

- Steering from the outside - an S/UTP strand
- 24 V supply - 0MY wire 3x1.5mm
- Foundation

DIMENSIONS GA2-S



KEY:

- Steering from the outside - an S/UTP strand
- 24 V supply - 0MY wire 3x1.5mm [0.06 in]
- Foundation