

Access-Solar 24V barrier

Very low operating costs thanks to efficient and durable MHTM™ drive

Ease-of-use and optimum accessibility thanks to well thought-out design

High level of functionality for numerous applications

Solar power option allows for up to 500 cycles per day in remote locations, where it is cost-prohibitive to run power

For access control

The Access-RE line is specifically designed for facilities that already have a 24V DC power source. The solar power option gives you the ability to use your MHTM™ MicroDrive in re-mote locations where it is cost-prohibitive to run power. The easily integrated option fits completely inside the gate housing and allows operation of up to 500 cycles per day, depending on the conditions. The solar panel options also includes either a 100 or 200 watt solar panel, two 27ah batteries, and mounting bracket that allows mounting on a wall or up to a 4" round post.

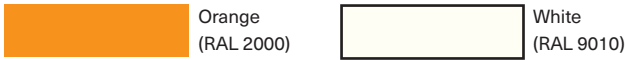


The Access series barriers from Magnetic are optimized solutions for access control at car parks, company grounds, residential buildings, port facilities and other secured areas with lane widths up to 20 ft. At the heart of the Access series is the innovative MHTM™ drive that is distinguished by its energy efficiency, lack of maintenance and long service life – the Access series is designed for 10 million opening and closing cycles.

Technical data	Access-RE	Access Pro-H-RE
Barrier width	Max. 12 ft	Max. 20 ft
Opening/closing time	2.2 s	4.0 s
Power consumption	Max. 25 W	Max. 25 W
Drive technology	MHTM™	MHTM™
Voltage	21-26V DC	21-26V DC
Duty cycle	100 %	100 %
Housing dimensions (LxWxH)	12.4 x 14.2 x 36.0 in	12.4 x 14.2 x 36.0 in
Enclosure rating	IP 54	IP 54
Temperature range	-22 to +131 °F	-22 to +131 °F
Weight without barrier arm	96 lb	97 lb

Features	Access-RE	Access Pro-H-RE
Standard colors	RAL 2000, 9010	RAL 2000, 9010
Barrier arm type	MicroBoom	MicroBoom
Control system	MGC	MGC Pro
Integrated 2-channel detector for induction loops	Standard	Standard
Variable I/O assignment	n/a	Standard
No. of digital inputs	8	8
No. of relays/digital outputs	6/4	6/4
Selectable closing speed	Standard	Standard
Selectable opening speed	n/a	Standard

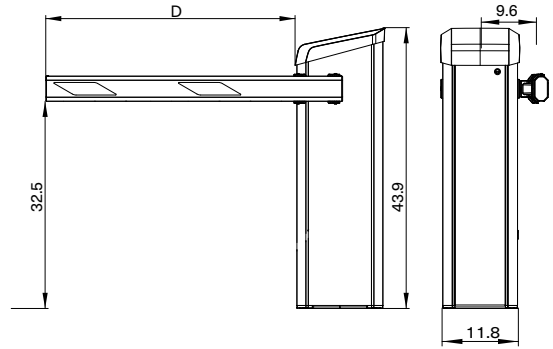
Standard barrier colors



Standard door color



Dimensions



Model	Color	Opening Width (D)	Speed	List Price
ACCESS-RE01040	White	10 Ft	2.2s	\$3,787
ACCESS-RE01240	White	12 Ft	2.2s	\$3,797
ACCESS-PRO-H-RE01040	White	10 Ft	4s	\$4,518
ACCESS-PRO-H-RE01240	White	12 Ft	4s	\$4,529
ACCESS-PRO-H-RE01540	White	15 Ft	4s	\$4,560
ACCESS-PRO-H-RE02040*	White	20 Ft	4s	\$4,613
ACCESS-RE01000	Orange	10 Ft	2.2s	\$3,787
ACCESS-RE01200	Orange	12 Ft	2.2s	\$3,797
ACCESS-PRO-H-RE01000	Orange	10 Ft	4s	\$4,518
ACCESS-PRO-H-RE01200	Orange	12 Ft	4s	\$4,529
ACCESS-PRO-H-RE01500	Orange	15 Ft	4s	\$4,560
ACCESS-PRO-H-RE02000*	Orange	20 Ft	4s	\$4,613

* Barrier arms over 15 feet must use a pendulum support or support post
 Note: Part numbers above are for right handed barriers; left hand also available. See appendix 1 for Left/Right hand definition

Options	Item no.	List Price
Special colors	SL08/SL01/SL04	\$224/391/433
Upcharge for standard passage height articulated arm	KBS01-ST/KBS01-ADA	\$468/468
Upcharge for custom passage height articulated arm	KBS01/KBS02	\$628/704
Pendulum support*	PS01	\$279
Support post*	AP01	\$322
Barrier arm presence sensor	BAK01	\$102
Key-operated switch	SS01-KA/SS02-KA	\$214
Radio module**	FM02-AM	\$297
Ethernet module**	EM01	\$297
RS485 module**	RSM01	\$297
Additional loop detector module**	DM02	\$162
Photoelectric light barrier**	LS11/APLS01	\$783/220
Solar power option with 100W panel	BAT011-S	\$1,693
Solar power option with 200W panel	BAT011-N	\$2,601

For more information on these and additional accessories: see pages 29-36