

PRODUCT MANUAL

VE-Series

Surface Mount Boxes and Pedestals

Surface or Pedestal Mount Viking Products While Maintaining Weather and Vandal Resistance



The **VE-3x5**, **VE-5x5**, **VE-6x7**, **VE-5x10** and **NR** (Lower Profile No Rainguard Versions) add vandal and weather resistance, as well as versatility to many Viking products. The **VE-Series** backboxes are available in black fine texture powder painted steel or marine grade 316 stainless steel. The weather resistant boxes are designed to be surface mounted to a wall, post, single or double gang electrical box*, or a **VE-GNP** gooseneck pedestal. * **Important:** The **VE-3x5** is not compatible with the **VE-GNP** pedestals and is not available in stainless steel.

The **VE-PNL**'s are **VE-Series** backboxes with a blank aluminum panel. The user can customize the clear-coated aluminum panel to mount a **PRX-1** card reader, **PRX-2** keypad or switch. The kits come complete with box, gasket, panel and screws. Model numbers that end with "SS" have a brushed stainless steel finish.

Note: The use of magnets to mount the **VE-Series** enclosure to a metal surface can affect the operation of the enclosed product.

The **VE-GNP** gooseneck pedestals are designed to be used with the **VE-5x5**, **VE-6x7** and **VE-5x10** backboxes and are ideal for drive up communications.



Features

- Surface mount to a wall, post, single or double gang electrical box*
- **VE-5x5**, **VE-6x7**, and **VE-5x10** also mount to **VE-GNP** series gooseneck pedestals
- **VE-PNL**'s blank aluminum panels are easy to modify
- Adds weather and vandal resistance
- Finishes: Heavy duty 16 gauge steel that is primer powder coated then top coated with textured black or red powder paint or available in brushed 316 marine grade stainless steel

***Note:** **VE-3x5** will not mount to a double gang electrical box or **VE-GNP** series gooseneck pedestal

Applications

- Drive up communication
- Commercial door security
- Business / delivery entrances
- Vehicular gates
- Parking ramps/lots
- Truck stops / fuel islands

Specifications

Product specifications by model number on pages 2-7.

Compatibility

The VE-Series Surface Mount Boxes are designed to surface mount the following Viking products:

Model	DOD	Description	VE Model
E-10A / E-10-IP	210 / 248	Speaker Phone	VE-5x5
E-30 / E-30-IP	212 / 248	Handsfree Speaker Phone with Dialer	VE-5x5
E-30-PT	214	Speaker Phone with Push-To-Talk Button	VE-5x5
E-32-IP	248	Double Gang VoIP Entry Phone	VE-5x5
E-35 / E-35-IP	178 / 251	Handsfree Speaker Phone with Dialer and Color Video Camera	VE-5x5
E-40 Series	187	Single Gang Entry Phone	VE-3x5
E-50 Series	191	Single Gang Entry Phone with Color Video Camera	VE-3x5
E-60 / E-60-IP Series	206 / 250	Double Gang Entry Phone	VE-5x5
E-65 Series	203	Double Gang Entry Phone with Color Video Camera	VE-5x5
E-70 Series	207	Entry Phone with Built-In Proximity Card Reader	VE-5x5
E-75 Series	208	Entry Phone with Proximity Card Reader and Color Video Camera	VE-5x5
E-1600-20A / E-1600-20-IP	215 / 255	ADA Compliant, Handsfree Emergency Phone with INFO and HELP Buttons	VE-5x5
E-1600-30A / E-1600-30-IP	215 / 255	ADA Compliant, Handsfree Emergency Phone with Dialer and Announcer	VE-5x5
K-1200 / K-1200-IP	182 / 271	12 Button Apartment Entry Phone with Built in Door Strike Relay	VE-5x10
K-1205 / K-1205-IP	183 / 272	12 Button Entry Phone with Door Strike Relay / Color Video Camera	VE-5x10
K-1270-IP	273	VoIP 12 Button Apartment Phone with Proximity Card Reader	VE-5x10
K-1275-IP	274	VoIP 12 Button Apartment Phone with Color Video and Proximity Card Reader	VE-5x10
K-1700-3 / K-1700-IP	157 / 253	Handsfree Phone with Keypad	VE-6x7
K-1705-3 / K-1705-IP	159 / 254	Handsfree Video Entry Phone with Keypad	VE-6x7
K-1770-3 / K-1770-IP	275 / 257	Handsfree Phone with Keypad and Proximity Card Reader	VE-6x7
K-1775-3 / K-1775-IP	280 / 258	Handsfree Video Phone with Keypad and Proximity Card Reader	VE-6x7
K-1900-7 / K-1900-7-IP	360 / 363	Hot-Line Panel Phone	VE-5x10
K-1900-8 / K-1900-8-IP	362 / 361	Hot-Line Panel Phone with Keypad	VE-5x10
W-1000	170	Weather Resistant Handsfree Doorbox	VE-5x5
W-3000	180	Vandal Resistant Handsfree Stainless Steel Doorbox	VE-5x5
W-3005	181	Vandal Resistant Handsfree Doorbox with Color Video Camera	VE-5x5

Note: If installing products outdoors or where the unit will be exposed to precepitation or condensation, purchase the Enhanced Weather Protection (EWP) version. EWP products are designed with added protection for outdoor installations. For more information on EWP, see DOD 859.

Installation and Specifications

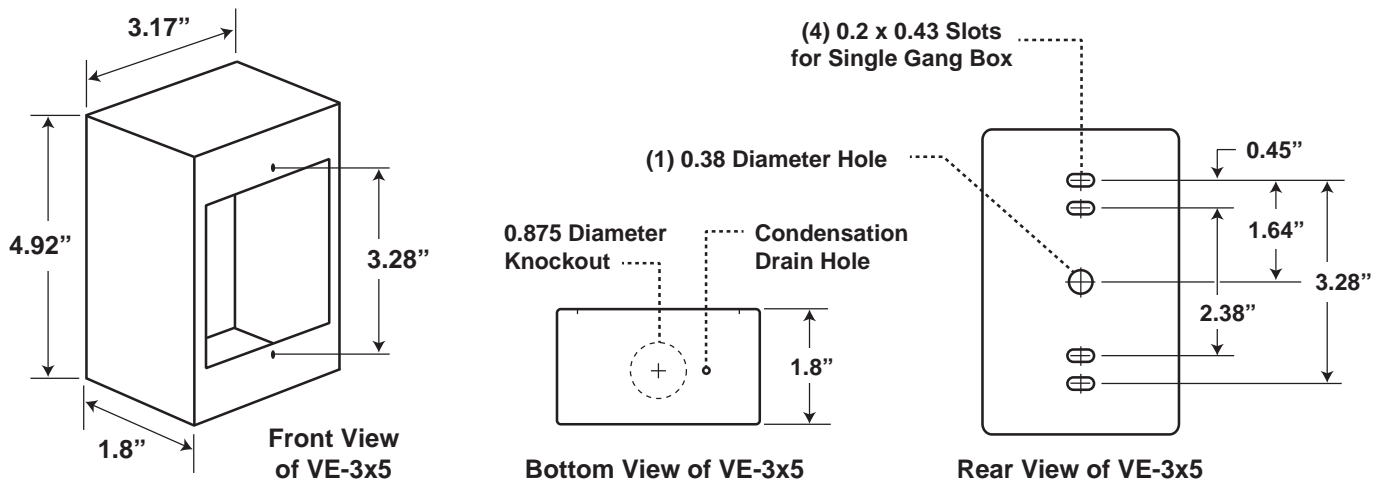
A. VE-3x5 Surface Mount Box

Material: 16 gauge CRS

Finish: UV stable black fine texture powder paint

Shipping Weight: 1.0 lb (0.45 kg)

Important: The VE-3x5 is not compatible with the VE-GNP pedestals.

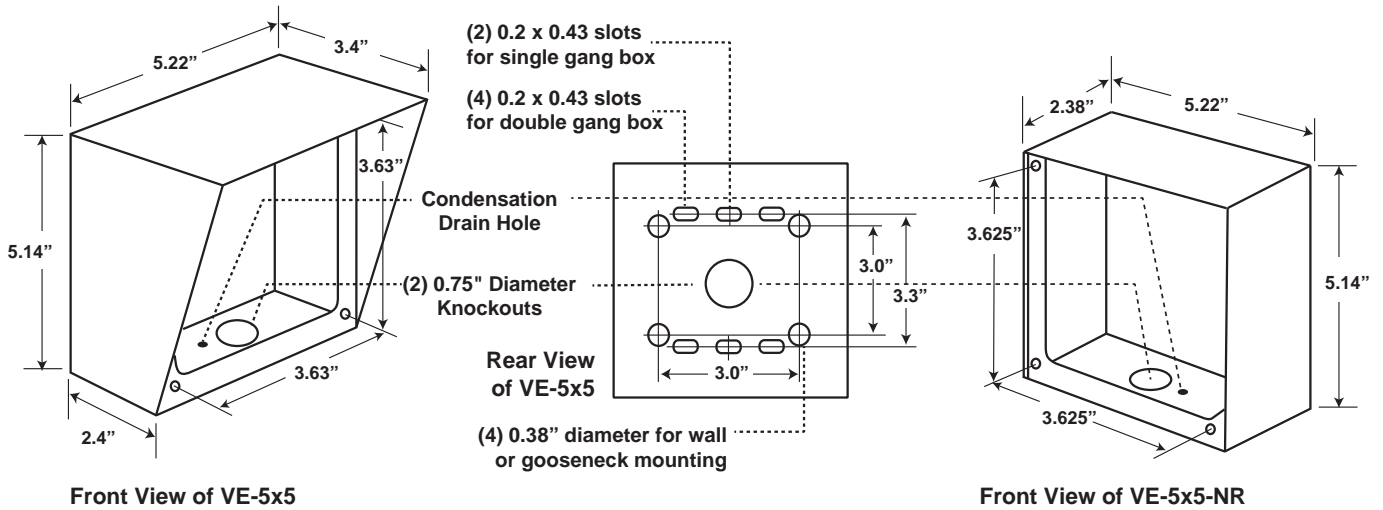


B. VE-5x5 / VE-5x5-SS / VE-5x5-RD Surface Mount Box or VE-5x5-NR / VE-5x5-NR-SS / VE-5x5-NR-RD Low Profile Surface Mount Box without Rainguard

VE-5x5 and VE-5x5-NR Material: 16 gauge CRS
VE-5x5 and VE-5x5-NR Finish: UV stable black fine texture powder paint
VE-5x5-SS and VE-5x5-NR-SS Material: 16 gauge Marine Grade 316 stainless steel
VE-5x5-SS and VE-5x5-NR-SS Finish: #4B brushed
VE-5x5-RD and VE-5x5-NR-RD Material: 16 gauge CRS
VE-5x5-RD and VE-5x5-NR-RD Finish: UV stable red fine texture powder paint

Shipping Weight:

VE-5x5: 1.7 lb (0.77 kg)
VE-5x5-NR: 1.6 lb (0.73 kg)
VE-5x5-SS: 1.8 lb (0.82 kg)
VE-5x5-NR-SS: 1.7 lb (0.77 kg)
VE-5x5-RD: 1.7 lb (0.77 kg)
VE-5x5-NR-RD: 1.6 lb (0.73 kg)

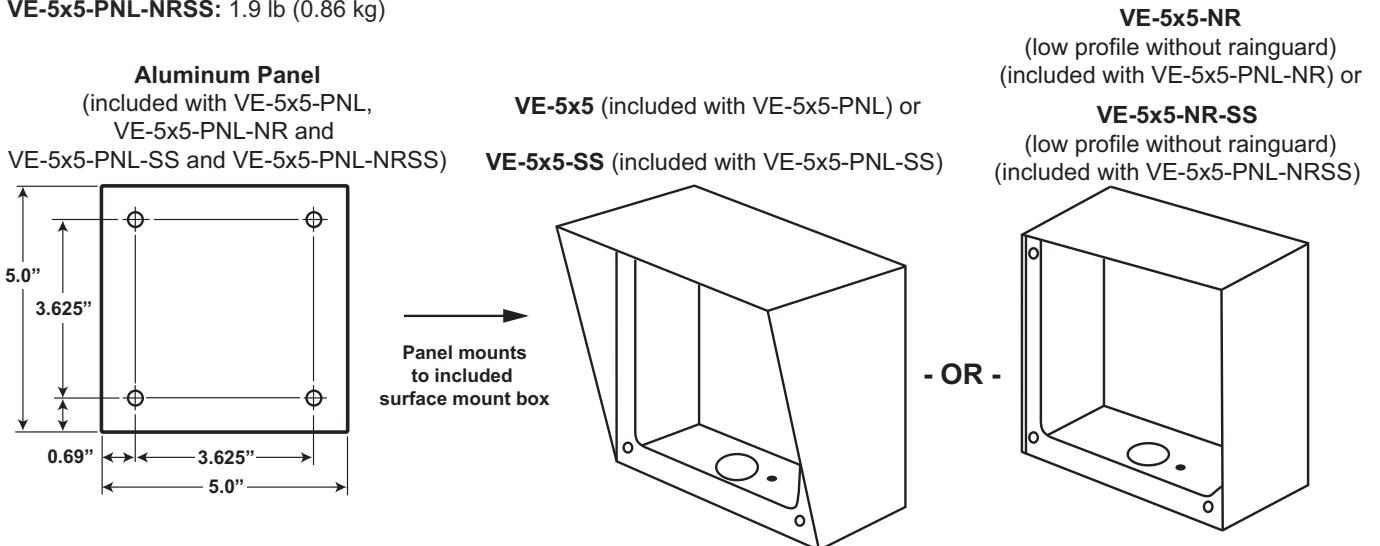


C. VE-5x5-PNL / VE-5x5-PNL-SS / VE-5x5-PNL-NR / VE-5x5-PNL-NR-SS

Panel Material: 12 gauge aluminum
Panel Finish: UV stable clear gloss powder paint

Shipping Weight:

VE-5x5-PNL: 2.0 lb (0.91 kg)
VE-5x5-PNL-NR: 1.9 lb (0.86 kg)
VE-5x5-PNL-SS: 2.0 lb (0.91 kg)
VE-5x5-PNL-NR-SS: 1.9 lb (0.86 kg)

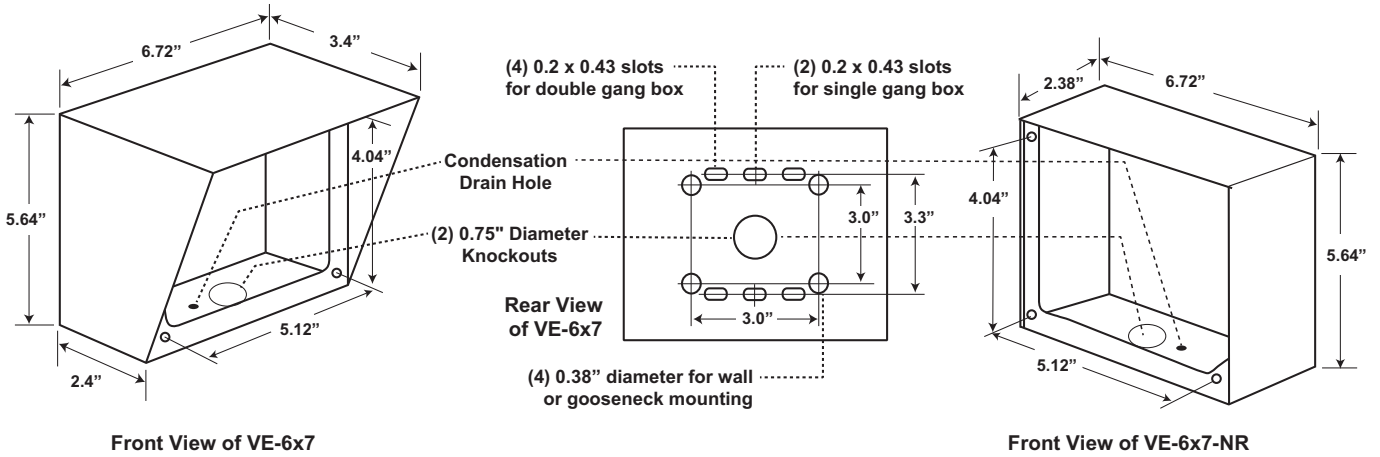


D. VE-6x7 / VE-6x7-SS Surface Mount Box or VE-6x7-NR / VE-6x7-NR-SS Low Profile Surface Mount Box without Rainguard

VE-6x7 and VE-6x7-NR Material: 16 gauge CRS
VE-6x7 and VE-6x7-NR Finish: UV stable black fine texture powder paint
VE-6x7-SS and VE-6x7-NR-SS Material: 16 gauge Marine Grade 316 stainless steel
VE-6x7-SS and VE-6x7-NR-SS Finish: #4B brushed

Shipping Weight:

VE-6X7: 2.1 lb (0.95 kg)
VE-6x7-NR: 2.0 lb (0.91 kg)
VE-6x7-SS: 2.2 lb (1.00 kg)
VE-6x7-NR-SS: 2.1 lb (0.95 kg)

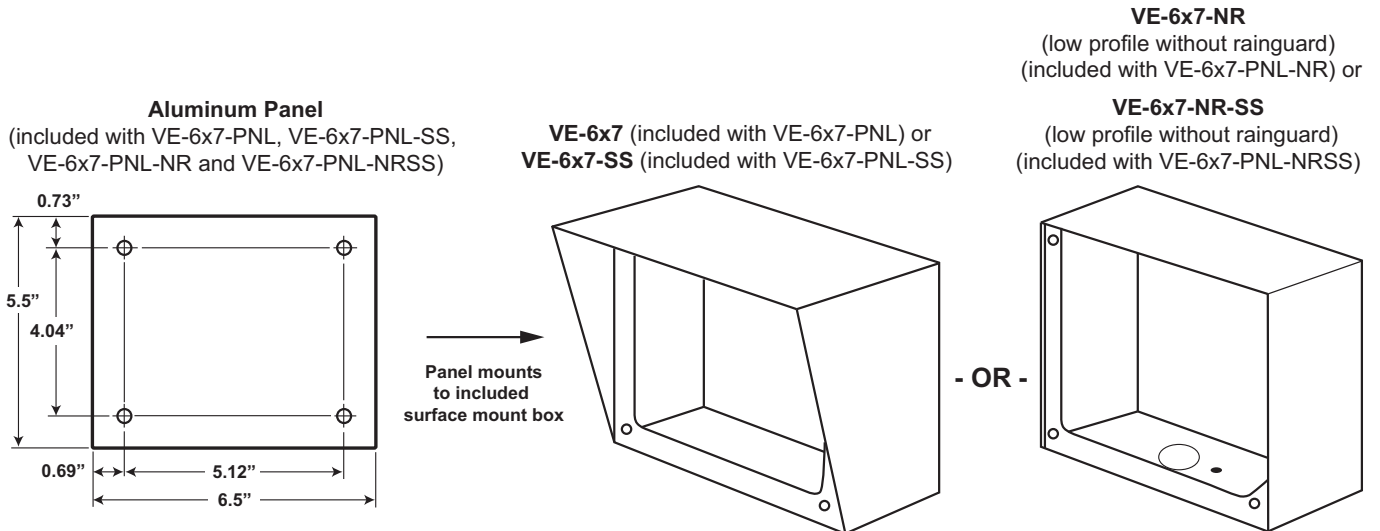


E. VE-6x7-PNL / VE-6x7-PNL-SS / VE-6x7-PNL-NR / VE-6x7-PNL-NR-SS

Panel Material: 12 gauge aluminum
Panel Finish: UV stable clear gloss powder paint

Shipping Weight:

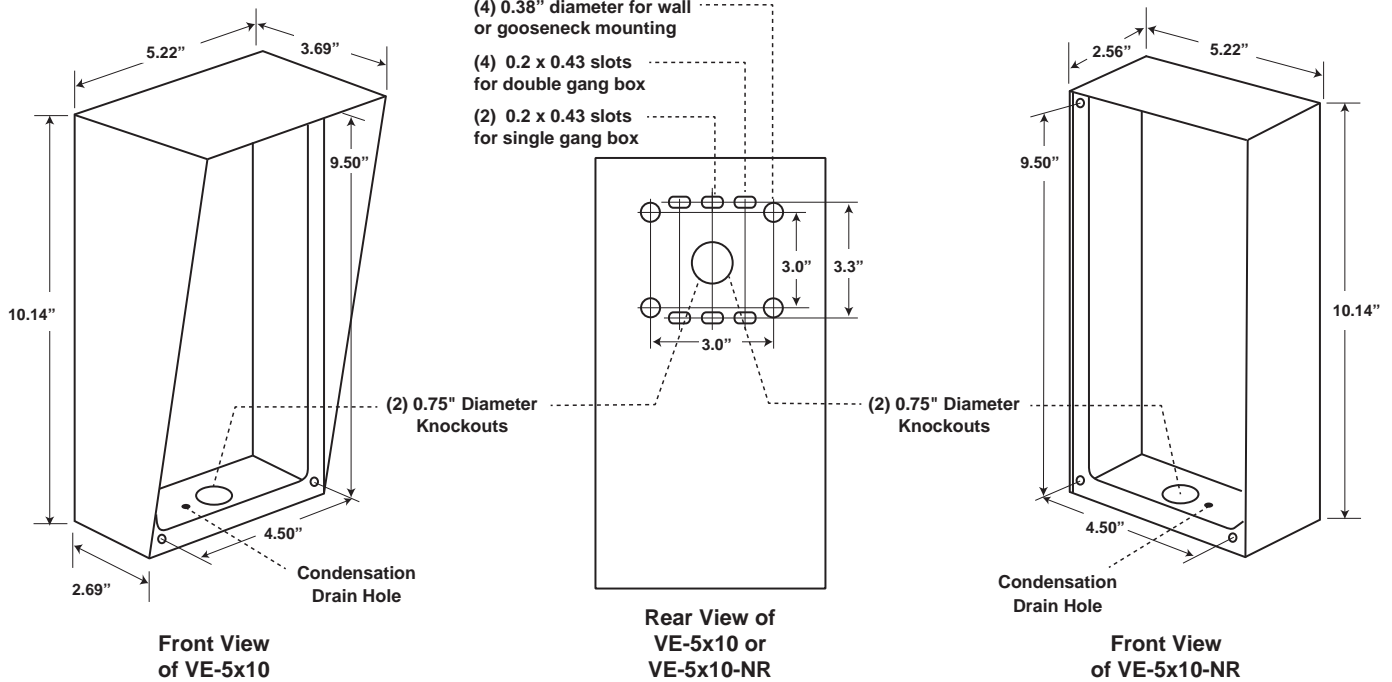
VE-6x7-PNL: 2.4 lb (1.09 kg)
VE-6x7-PNL-NR: 2.3 lb (1.04 kg)
VE-6x7-PNL-SS: 2.5 lb (1.13 kg)
VE-6x7-PNL-NRSS: 2.4 lb (1.09 kg)



F. VE-5x10 / VE-5x10-SS Surface Mount Box or VE-5x10-NR / VE-5x10-NR-SS Low Profile Surface Mount Box without Rainguard

VE-5x10 and VE-5x10-NR Material: 16 gauge CRS
VE-5x10 and VE-5x10-NR Finish: UV stable black fine texture powder paint
VE-5x10-SS and VE-5x10-NR-SS Material: 16 gauge Marine Grade 316 stainless steel
VE-5x10-SS and VE-5x10-NR-SS Finish: #4B brushed

Shipping Weight:
VE-5x10: 2.7 lb (1.22 kg)
VE-5x10-NR: 2.6 lb (1.18 kg)
VE-5x10-SS: 2.9 lb (1.32 kg)
VE-5x10-NR-SS: 2.8 lb (1.27 kg)



G. VE-5x10-PNL / VE-5x10-PNL-SS / VE-5x10-PNL-NR / VE-5x10-PNLNRSS

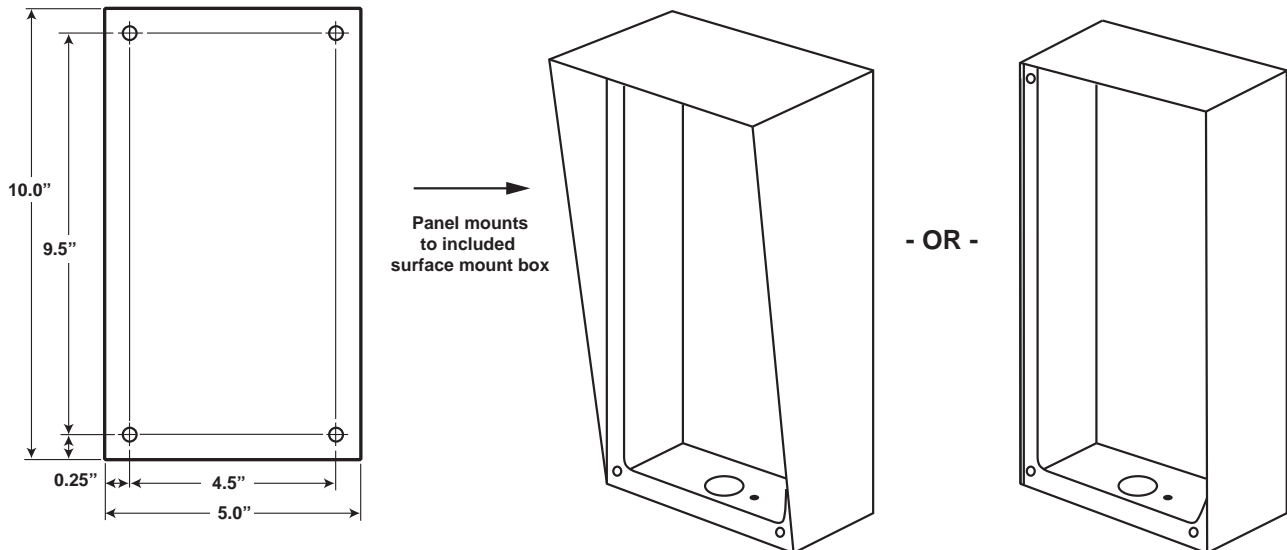
Panel Material: 12 gauge aluminum
Panel Finish: UV stable clear gloss powder paint

Shipping Weight:
VE-5x10-PNL: 3.1 lb (1.41 kg)
VE-5x10-PNL-SS: 3.3 lb (1.36 kg)
VE-5x10-PNL-NR: 3.0 lb (1.36 kg)
VE-5x10-PNL-NRSS: 3.2 lb (1.45 kg)

Aluminum Panel
 (included with VE-5x10-PNL, VE-5x10-PNL-NR, VE-5x10-PNL-SS, and VE-5x10-PNLNRSS)

VE-5x10 (included with VE-5x10-PNL) or
VE-5x10-SS (included with VE-5x10-PNL-SS)

VE-5x10-NR (low profile without rainguard) (included with VE-5x10-PNL-NR) or
VE-5x10-NR-SS (low profile without rainguard) (included with VE-5x10-PNLNRSS)



H. VE-GNP Gooseneck Pedestal

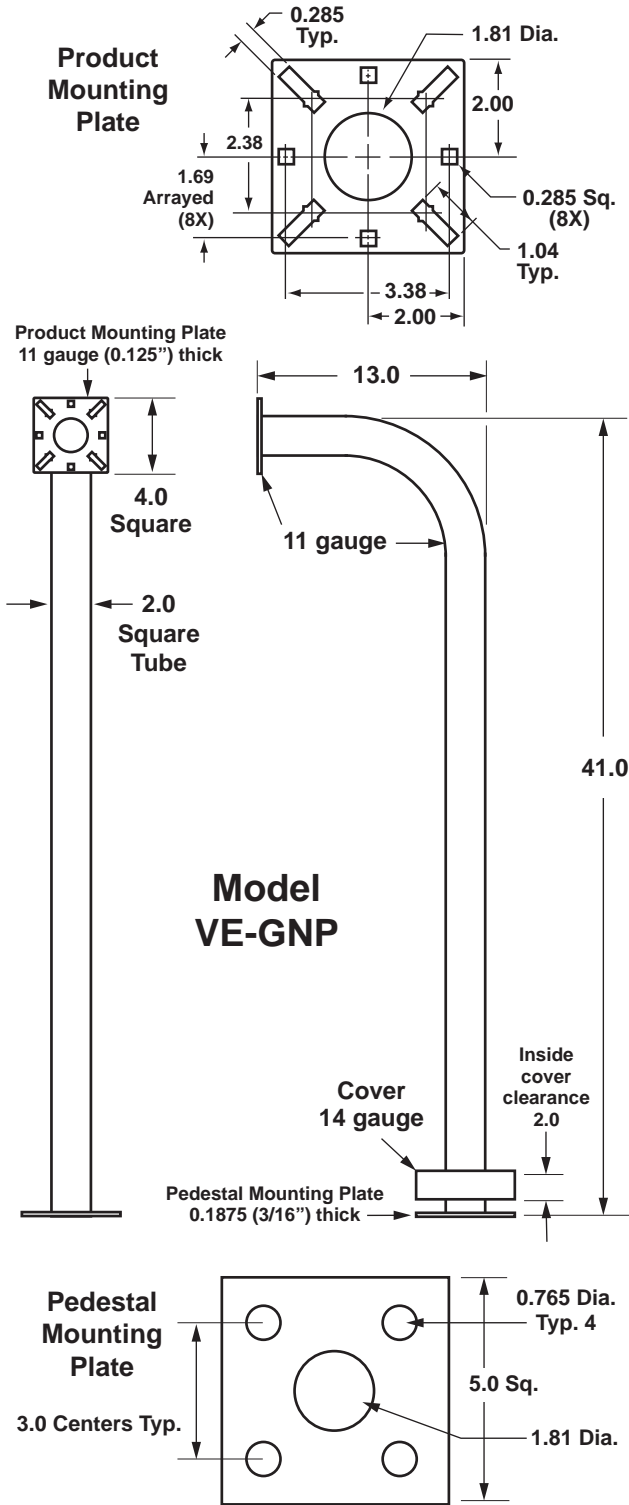
Description: 42" tall, pad mount, steel gooseneck pedestal. Universal car height for most applications.

Material: CRS (see gauges below)

Finish: UV stable black wrinkle powder paint

Shipping Weight: 17.9 lbs (8.12 kg)

Note: Adhere included gasket to back of **VE-Series** backbox then fasten backbox to pedestal.



I. VE-GNP-SS Gooseneck Pedestal

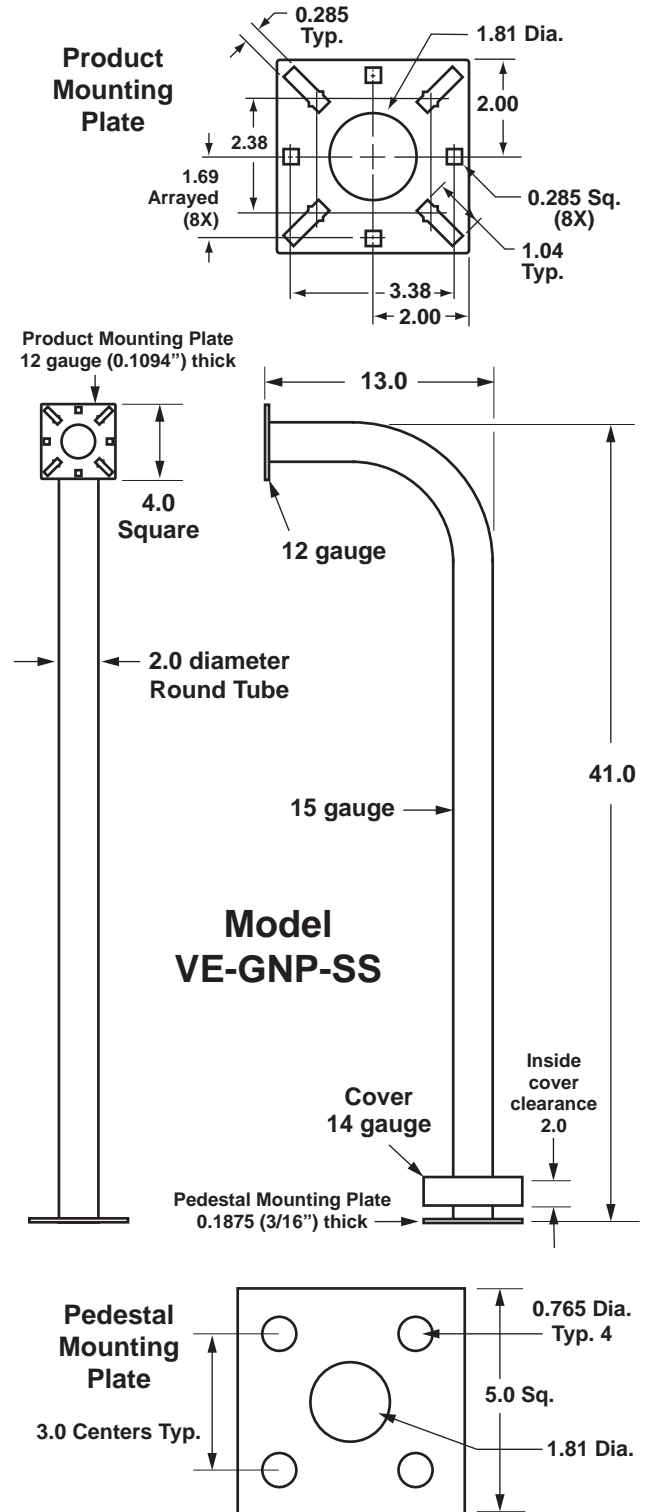
Description: 42" tall, pad mount, stainless steel gooseneck pedestal. Universal car height for most applications.

Material: 304 Stainless Steel (see gauges below)

Finish: #4B Brushed

Shipping Weight: 9.9 lbs (4.49 kg)

Note: Adhere included gasket to back of **VE-Series** backbox then fasten backbox to pedestal.



J. VE-GNP-IG Gooseneck Pedestal

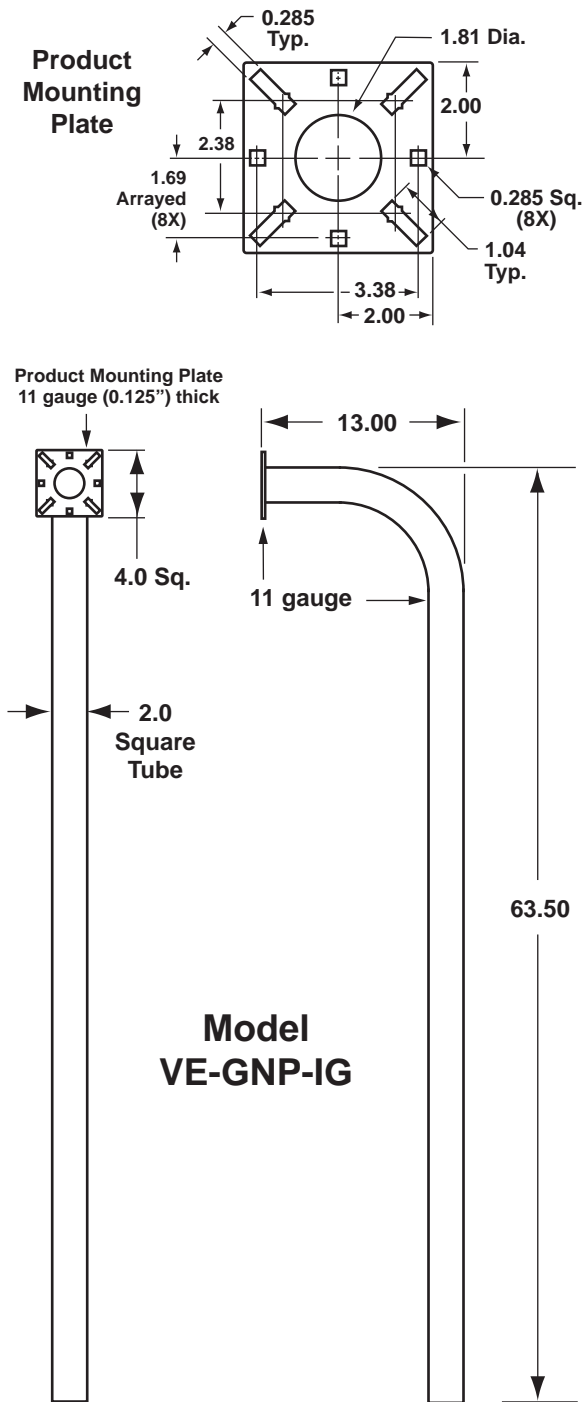
Description: 64" tall, in-ground/wet cement mount, steel gooseneck pedestal. Insert bottom approximately 22" into ground/cement for 42" tall pedestal (universal car height for most applications).

Material: CRS (11 gauge)

Finish: UV stable black wrinkle powder paint

Shipping Weight: 20.6 lbs (9.344 kg)

Note: Adhere included gasket to back of **VE-Series** backbox then fasten backbox to pedestal.



K. VE-GNP-2 Gooseneck Pedestal

Description: 42"/72" tall, dual-height, pad mount, steel gooseneck pedestal. Ideal for both car and truck applications.

Material: CRS (see gauges below)

Finish: UV stable black wrinkle powder paint

Shipping Weight: 44.7 lbs (20.28 kg)

Note: Adhere included gasket to back of **VE-Series** backbox then fasten backbox to pedestal.

