

The Executive™ Series Waist-High

EX100-R-ADA

Handicapped Accessible Gate with Round Top • Interior Application



Our premier interior application unit. Ideal for prestige settings such as banks, offices, embassies and museums, this highly versatile line can take on any look. Order these in a satin stainless or powder coat finish, with a solid surface cover to match your design needs.

Solid Surfaces

These are just a few of the solid surfaces available for your turnstile's custom top.



EX100-R-ADA
ADA gate can be motorized.



8641 South Warhawk Road Conifer, CO 80433
(303) 670-1099 x11 Patrick.McAllister@Turnstiles.us

The Executive™ Series Waist-High

EX100-R-ADA

Handicapped Accessible Gate with Round Top • Interior Application



Applications:

This ADA compliant unit is the matched partner to the EX100-R interior application unit. It is designed for controlling the orderly flow of foot traffic in prestige settings such as banks, offices, embassies and museums.

Product Features:

Materials and Finishes:

Cabinets are finished in:

- Our signature 304 stainless steel/ No. 4 satin finish
- Designer powder coat colors to match any décor

Round tops are available in your choice of:

- Designer solid surface colors to match your interior design needs

Design & Construction:

- Designed for secure operation with aesthetics in mind
- Cabinet inner and outer shells are constructed of (14 gauge) 304 stainless steel/ No. 4 satin finish
- Arms constructed of 1 5/16" (33mm) diameter, (12 gauge) stainless
- Arm length 36" standard (may be ordered +/- 3")
- Hub 4 1/2" (114mm) o.d. also made from stainless
- Minimal exposed hardware

Measures:

- Height: 39" (991mm)
- Width: 36 3/4" (933mm)
- Base: 8 7/8" (225mm)
- Depth: 10 7/8" (276mm)

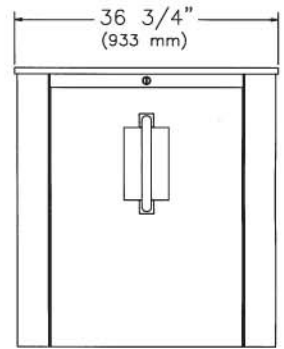
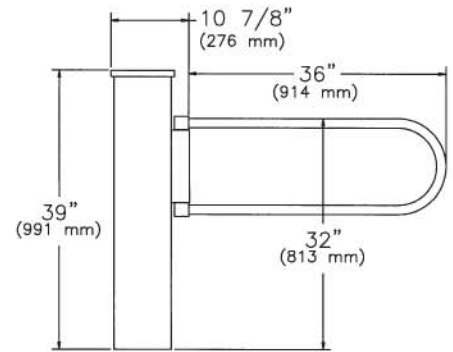
Controller & Access Control Operation:

- Self-centering control head with adjustable hydraulic shock suppression
- Hardened tool steel locking bars, cam and roller assemblies
- Permanently lubricated bearings
- All units are available in clockwise, counter-clockwise or bi-directional passage
- Keylock Feature - Control direction of travel manually by key (to lock/unlock), or may be used to override electronic controls

Options:

- Electronic lock modules include heavy-duty 24 vdc pull-type industrial solenoids:
- Available in each separate direction: fail-safe (open on power failure) or fail-lock (lock on power failure) modes
- Interfacing to card readers, computer attendance systems, coin and token acceptors, push buttons and wireless remote controls
- Electronic 6 digit resettable counter with LXD display and ten-year lithium battery
- Horizontal graphic array (HGA) red X / green arrow / yellow bar
- Additional options available on request

Our matching waist high turnstile (model EX100-R) is available for the Executive Series.



ENDURO™ Electronic Control Head

- EA** Controlled Traffic flow both directions
- EB** Controlled Traffic flow one direction, uncontrolled opposite direction
- EC** Controlled Traffic flow one direction, no traffic flow opposite direction

ENDURO™ Manual Control Head

- MD** Uncontrolled traffic flow one direction, no traffic flow opposite direction
- MF** Uncontrolled traffic flow both directions
- MG** Key controlled each direction

Electrical Specifications:

Command module input 110-240 VAC (2 amp-1 amp) 50-60 Hz; control voltage 24 VDC. All electrical components are UL recognized and CSA certified.

Standards and Codes:

Austenitic stainless steel: ASTM A240, A249, A276
Hot rolled steel: AISI C-1020, AISI C-1018
Hot dipped galvanizing: ASTM A-143, ASTM A-153-80
Stainless steel fasteners: ASTM A-320
American Welding Society (AWS) Standard D 1.1

Warranty:

Units are warranted against defects in materials and workmanship for a period of one year from date of delivery. See warranty information for specific details.

