

**AG-30-ECON**

**INSTALLATION INFORMATION**



## TABLE OF CONTENTS

UNPACKAGING .....	3
INSTALLATION PROCEDURE.....	4-12
ELECTRICAL CONNECTION.....	13
WARRANTY AND DISCLAIMER .....	14-15
SPECS.....	16
REPLACEMENT PARTS.....	17
CONTROL HEAD INFORMATION.....	18

**UN-PACKAGING:**

**VERIFY YOU HAVE ALL PARTS AND HARDWARE LISTED BELOW**

- 1.TURNSTILE HEADER AND CONTROL HEAD WITH LID**
- 2.TURNSTILE ROTOR AND BEARING ASSEMBLY**
- 3.TURNSTILE CAGE**
- 4.TURNSTILE COMB**
- 5.CARD READER MOUNTING PLATE(S)**
- 6.INCLUDED INSTALLATION HARDWARE AND SPLINE SHAFT**
- 7.TOUCH UP PAINT**

**INSTALLATION:**

- 1.STARTING WITH A LEVEL CONCRETE SLAB OR EQUIVALENT, BEGIN THE LAYOUT PROCESS BY SNAPPING A CENTER LINE FOR THE TURNSTILE ENTRANCE.**



**2. STAND UP TURNSTILE GAGE IN DESIRED LOCATION AND  
CENTER ON SNAPPED LINE.**



3. FROM OUTSIDE OF CAGE MEASURE 5' 6" AND MARK.  
THIS IS MEASUREMENT FOR THE OUTSIDE OF THE COMB.



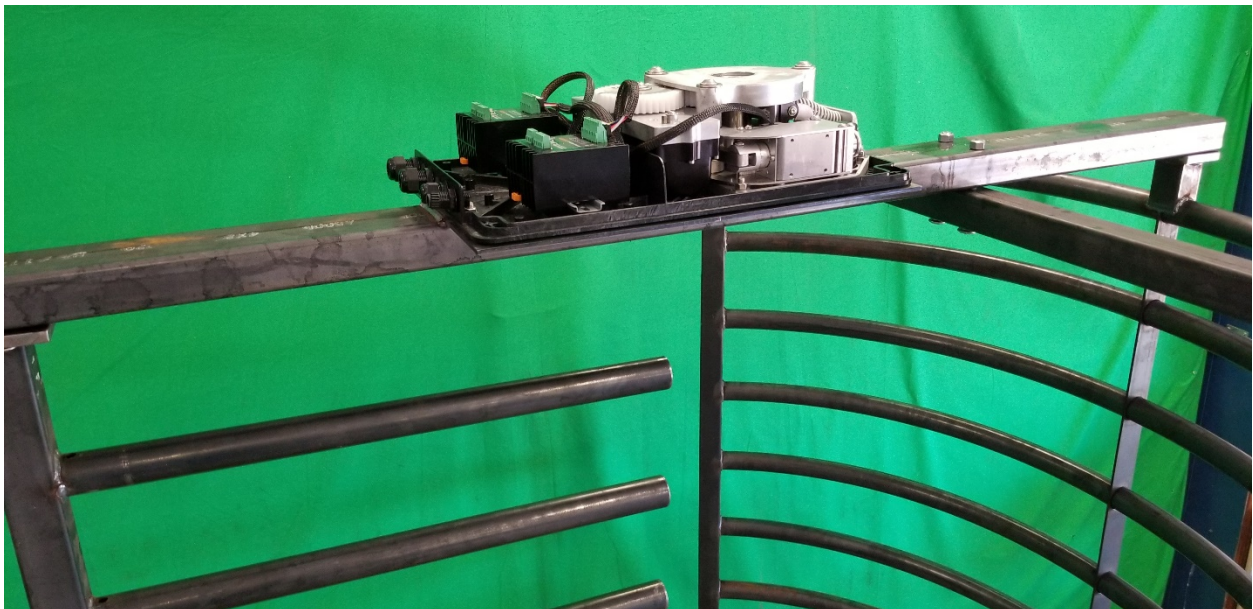
4. STAND UP THE COMB ON 5' 6" MARK AND BLOCK UP  
WITH DUNNAGE.

7.



*NOTE: PAY ATTENTION TO LABELED TOP AND BOTTOM OF COMB*

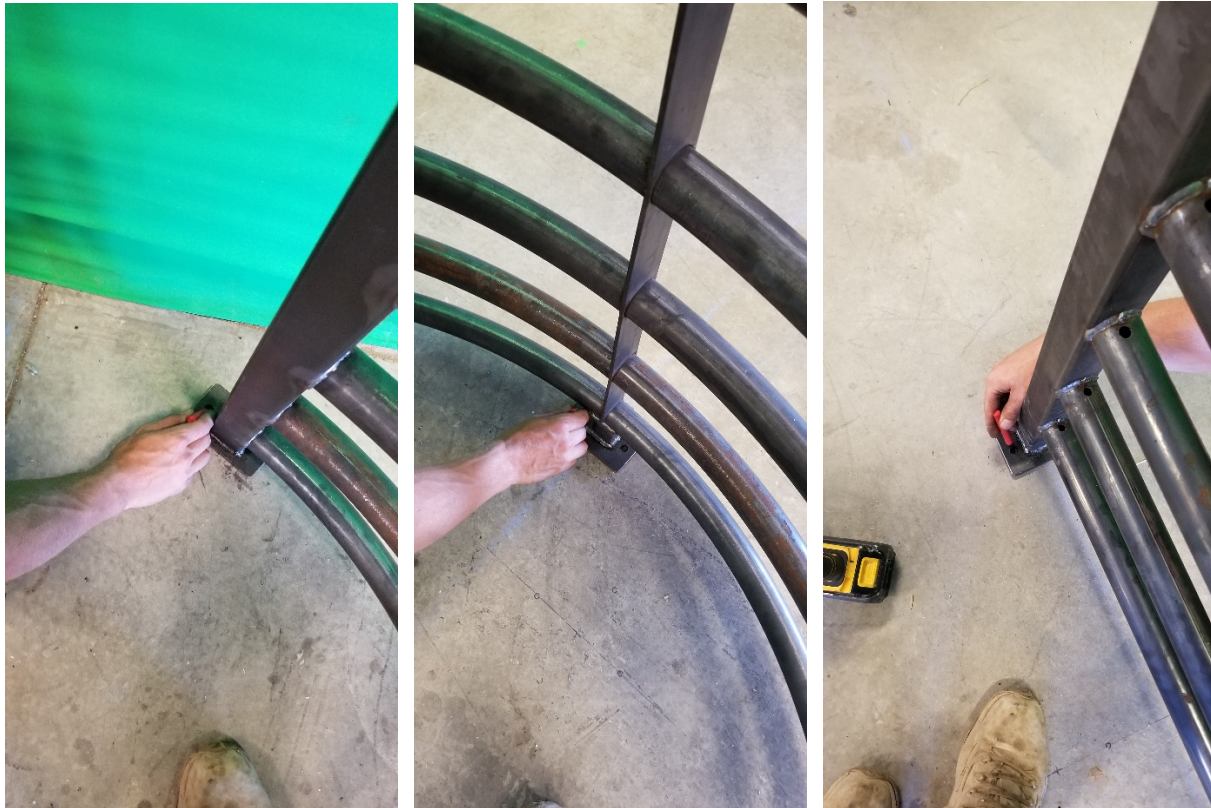
5. PLACE HEADER ON TOP OF ASSEMBLY, HEADER IS CLEARLY MARKED COMB AND CAGE. USE APPROPRIATE CARRIAGE BOLTS TO MOUNT. DO NOT FULLY TIGHTEN BOLTS AT THIS POINT.



6. ENSURE TURNSTILE IS CENTERED ON LINE, CHECK FOR SQUARE AND PLUMB.



7. ONCE TURNSTILE IS IN DESIRED LOCATION AND SQUARE AND PLUMB, MARK THE HOLES FOR ANCHORING IN COMB AND CAGE.



8. DRILL AND ANCHOR ALL 8 CAGE AND COMB MOUNTING HOLES. TIGHTEN ALL ANCHORS AND HEADER BOLTS. (YOU MAY NEED TO SHIM TO LEVEL DEPENDING ON SLAB CONDITION.)



9. NOW FIND THE CENTER TO MOUNT CENTER ROTOR BEARING. (FOR THE AG-30-ECON CENTER SHOULD BE 33" FROM BACK OF COMB AND 33" FROM THE BACK OF CAGE.)



10. USING A SQUARE, ON THE 33" MARK MAKE A LINE PERPENDICULAR TO YOUR CENTER LINE, PLACE THE ROTOR BEARING MOUNTING PLATE CORNERS AND MARK AND DRILL THE 1/2 ANCHOR HOLE.



11. INSTALL THE  $\frac{1}{2}$  ANCHOR AND THE BEARING BUSHING WITH THE BEARING ON TOP WITH WASHERS AND NUT.

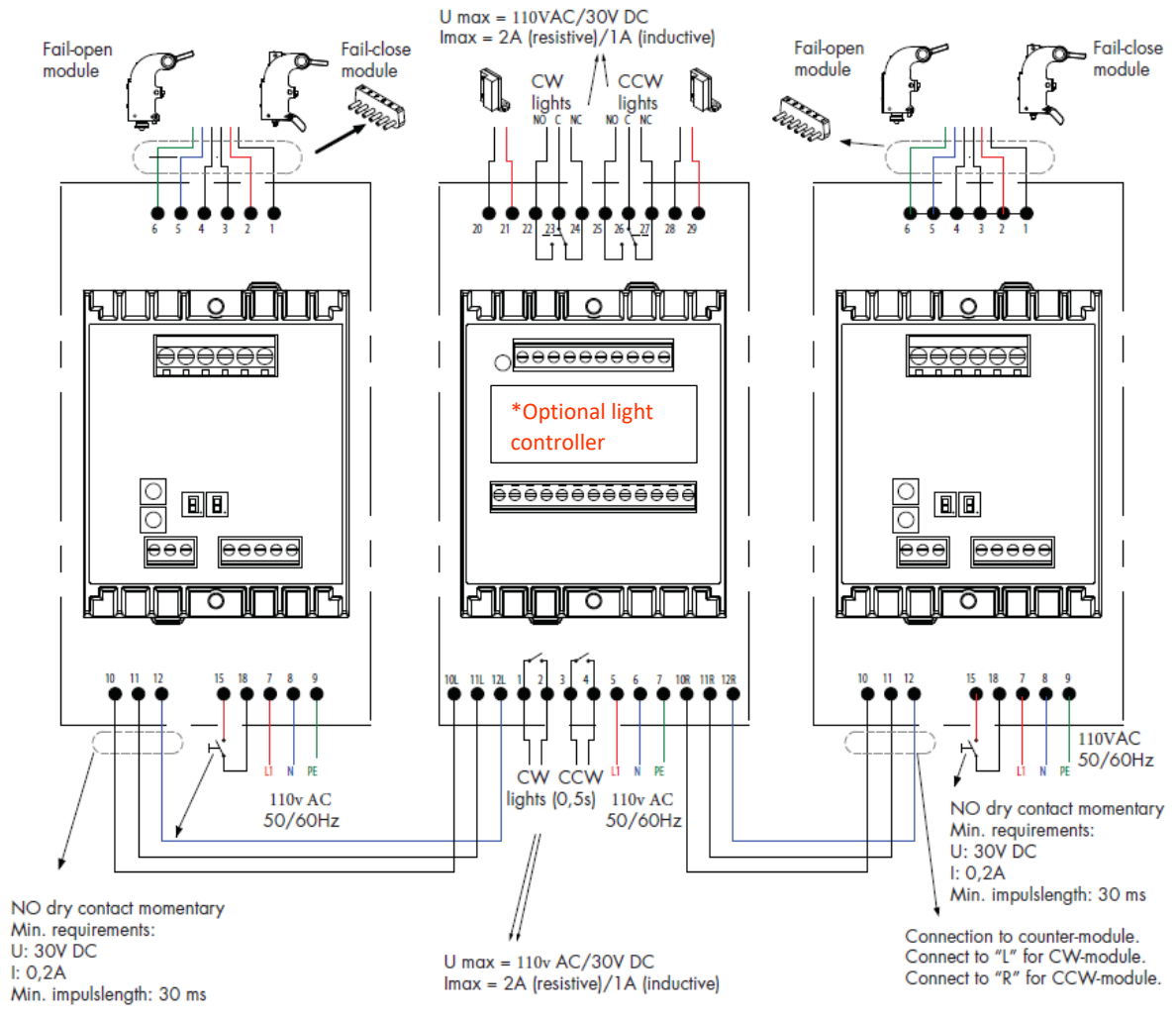


12. STAND UP ROTOR ON THE BEARING, MAKE SURE TO LINE UP THE BARS WITH CENTER LINE AND INSTALL THE SPLINE SHAFT IN THE HEADER. (MAY REQUIRE TWO PEOPLE)



TURNSTILE INSTALLATION IS NOW COMPLETE. PROCEED TO ELECTRICAL AND CARD ACCESS CONTROL.

## ELECTRICAL CONNECTION



# **WARRANTY AND DISCLAIMER**

## **WARRANTY**

THANK YOU FOR YOUR INTEREST IN THE PRODUCTS AND SERVICES OF TurnstilesUS.

THIS LIMITED WARRANTY APPLIES TO PHYSICAL GOODS, AND ONLY FOR PHYSICAL GOODS, PURCHASED FROM TurnstilesUS.

## **WHAT DOES THIS LIMITED WARRANTY COVER?**

THIS LIMITED WARRANTY COVERS ANY DEFECTS IN MATERIAL OR WORKMANSHIP UNDER NORMAL USE DURING THE WARRANTY PERIOD.

DURING THE WARRANTY PERIOD, TurnstilesUS WILL REPAIR OR REPLACE, AT NO CHARGE, PRODUCTS OR PARTS OF A PRODUCT THAT PROVES DEFECTIVE BECAUSE OF IMPROPER MATERIAL OR WORKMANSHIP, UNDER NORMAL USE AND MAINTENANCE.

## **WHAT WILL WE DO TO CORRECT PROBLEMS?**

TurnstilesUS WILL REPAIR THE PRODUCT AT NO CHARGE, USING NEW OR REFURBISHED REPLACEMENT PARTS.

## **HOW LONG DOES THE COVERAGE LAST?**

THE WARRANTY PERIOD FOR PHYSICAL GOODS PURCHASED FROM TurnstilesUS IS 18 MONTHS FROM THE DATE OF SHIPMENT TO THE END USER.

## **WHAT DOES THIS LIMITED WARRANTY NOT COVER?**

THIS LIMITED WARRANTY DOES NOT COVER ANY PROBLEM THAT IS CAUSED BY:

- CONDITIONS, MALFUNCTIONS OR DAMAGE NOT RESULTING FROM DEFECTS IN MATERIAL OR WORKMANSHIP
- SHIPPING COST FOR REPAIR, OR DAMAGE FROM SHIPPING

## **WHAT DO YOU HAVE TO DO?**

TO OBTAIN WARRANTY SERVICE, CONTACT US TO DETERMINE THE PROBLEM AND THE MOST APPROPRIATE SOLUTION FOR YOU. IF DEFECTS ARE CONSIDERED PRODUCT MUST BE SHIPPED BY CUSTOMER TO OUTLAW INDUSTRIES, IF DEFECTS ARE COVERED UNDER WARRANTY PRODUCT WILL BE REPAIRED AND SHIPPED BACK TO CUSTOMER BY OUTLAW INDUSTRIES.